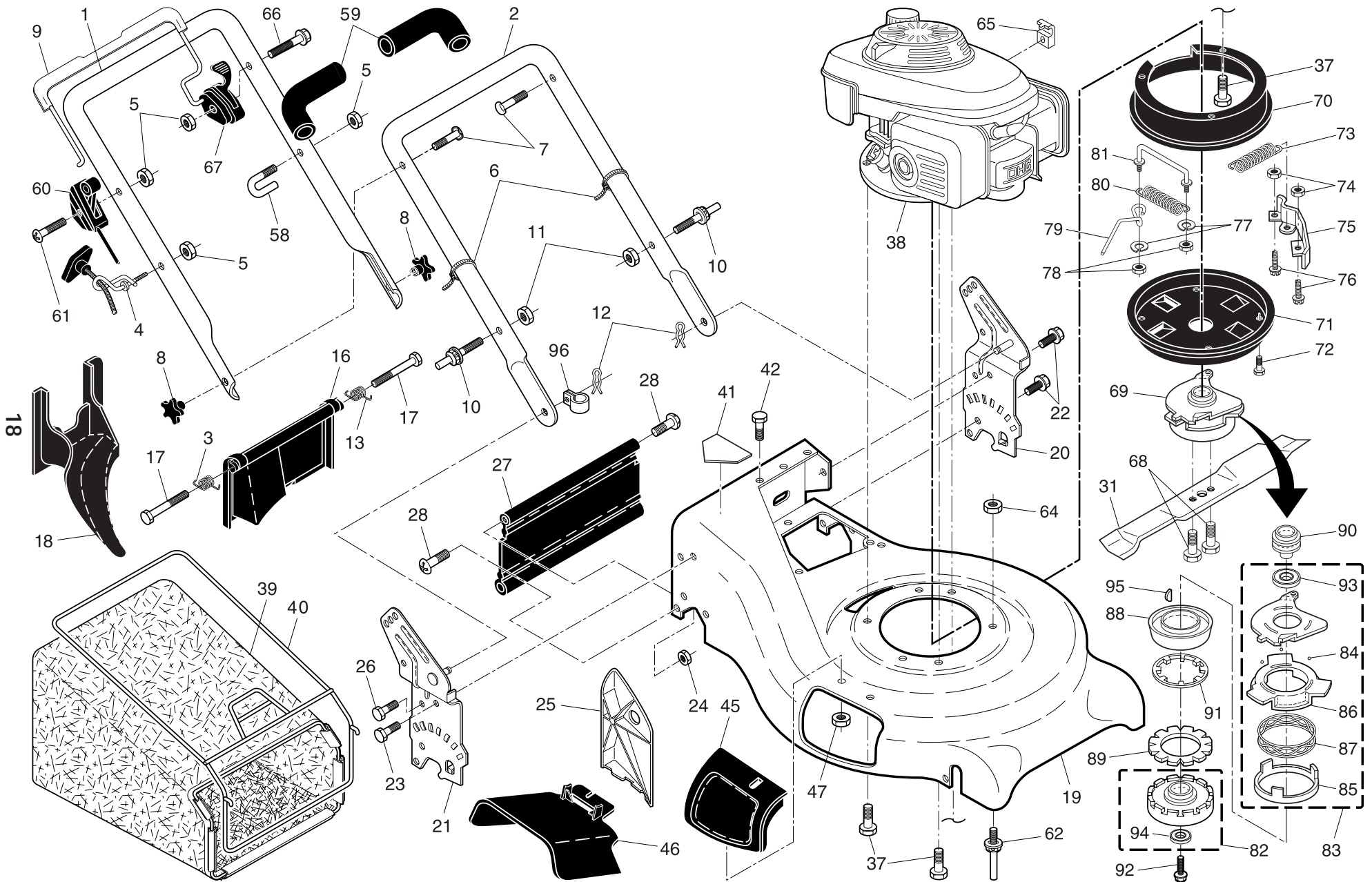


ROTARY LAWN MOWER - - MODEL NUMBER 5521BBC (96143001303) - PRODUCT NUMBER 961 43 00-13



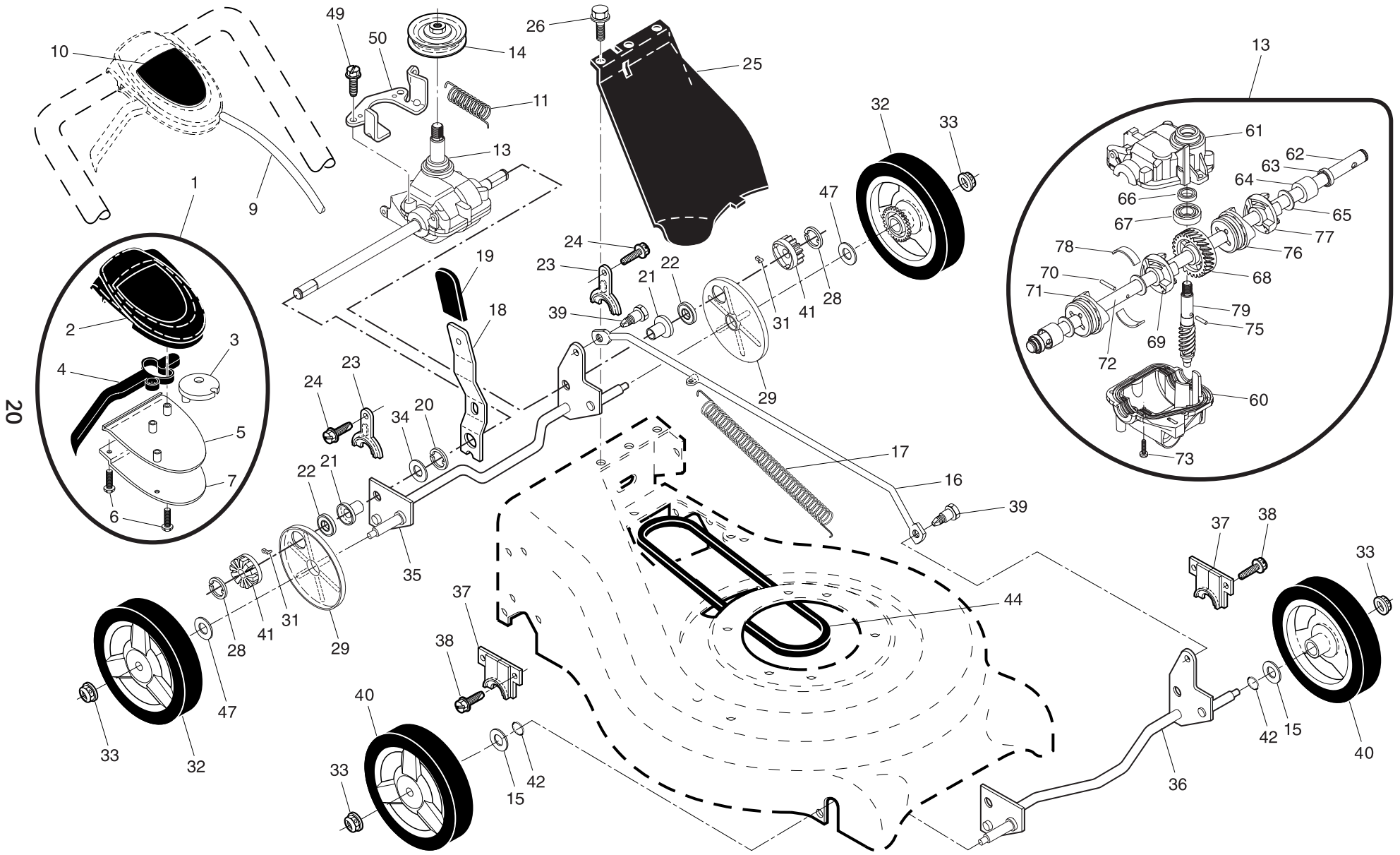
# ROTARY LAWN MOWER - - MODEL NUMBER 5521BBC (96143001303) - PRODUCT NUMBER 961 43 00-13

KEY NO.	PART NO.	DESCRIPTION	KEY NO.	PART NO.	DESCRIPTION
1	532 18 97-40	Handle, Upper (Includes Foam Grip)	60	<b>532 19 08-78</b>	Throttle / Engine Control
2	532 19 72-02	Handle, Lower	61	532 18 33-65	Screw, Hex Head 1/4-20 x 2-1/8
3	532 40 54-16	Spring, Rear Door, RH	62	532 18 21-31	Belt Guide, Stud
4	532 19 47-88	Guide, Rope, Side	64	532 19 70-33	Nut, Hex 3/8-16
5	532 13 20-04	Nut, Hex Lockwasher Insert 1/4-20	65	532 19 09-03	Bracket, Throttle
6	532 06 64-26	Wire, Tie	66	532 18 99-37	Screw, Hex Washer Head 1/4-20 x 1/2
7	532 19 15-74	Bolt, Handle 5/16-18 x 1.75	67	532 19 65-41	Blade Brake / Clutch Control
8	532 18 55-88	Knob, Handle	68	532 18 04-60	Bolt, Hex Head
9	532 41 21-72	Bar, Control, Auto-Walk	69	- - -	Blade Brake / Clutch (Includes Key Numbers 82-95)
10	532 18 88-21	Bolt, Carriage	70	532 19 09-30	Belt Cover, Upper
11	532 75 11-53	Nut, Hex, Centerlock 5/16-18 UNC	71	532 18 01-91	Belt Cover, Lower
12	532 05 17-93	Cotter, Hairpin	72	532 75 00-97	Screw, Tapping, Hex Washer Head #10-24
13	532 40 54-15	Spring, Rear Door, LH	73	532 18 03-93	Spring
16	532 40 88-88	Rear Door Assembly	74	873 90 04-00	Nut, Hex, Centerlock, Zinc Plated 1/4-20
17	532 18 41-93	Bolt, Rear Door	75	532 19 09-29	Bracket
18	532 19 81-70	Plug, Mulcher	76	874 78 04-10	Bolt, Hex Cap Head 1/4-20 x 5/8
19	532 41 08-71	Kit, Housing	77	532 05 39-98	Washer, Flat
20	532 19 40-29	Handle Bracket Assembly, LH	78	873 51 06-00	Nut, Hex 3/8-16
21	532 19 40-31	Handle Bracket Assembly, RH	79	<b>532 18 85-45</b>	Belt Keeper
22	532 15 00-78	Screw, Hex Washer Head	80	532 18 03-94	Spring
23	532 16 31-83	Bolt, Hex Head 5/16-18 x 5/8	81	532 18 01-88	Link, Torque
24	873 80 05-00	Nut, Hex, with Lock Washer Insert 5/16-18	82	532 19 50-49	Holder Assembly, Blade
25	532 16 13-33	Baffle, Side	83	532 19 50-72	Plate Assembly, Ball Control
26	532 16 34-09	Screw 12 x 5/8	84	532 19 50-53	Ball, Steel
27	<b>532 40 84-42</b>	Skirt, Rear	85	532 19 50-73	Plate, Spring Hook
28	532 08 86-52	Screw, Hinge 1/4-20 x 1.25	86	532 19 50-74	Plate, Brake
31	532 18 04-59	Blade, 21"	87	532 19 50-57	Spring, Ball Plate
37	532 15 04-06	Bolt, Engine	88	532 19 50-60	Disk, Drive
38	- - -	Engine, Honda, Model No. GCV160 (For engine service and replacement parts, call Honda at 1-800-426-7701)	89	532 19 50-63	Disk, Driven
39	532 40 97-26	Grassbag	90	532 19 50-64	Pulley, Drive
40	<b>532 41 19-51</b>	Frame, Grassbag	91	532 19 50-65	Spring, Clutch
41	532 40 47-63	Danger Decal	92	532 19 50-67	Bolt, Flange (10 x 24)
42	532 05 45-83	Screw	93	532 19 50-68	Bearing, Radial Ball (6006)
45	532 19 05-10	Mulcher Door Assembly	94	532 19 50-69	Bearing, Radial Ball (6204)
46	532 19 05-12	Deflector, Discharge	95	532 19 50-70	Key, Woodruff (16 x 15)
47	532 08 83-49	Nut, Hex	96	<b>532 19 79-91</b>	Clip, Cable
58	532 18 20-03	Clip			
59	532 18 27-48	Grip, Handle, Foam, Smooth (one side)			

**NOTE:** All component dimensions given in U.S. inches. 1 inch = 25.4 mm

**IMPORTANT:** Use only Original Equipment Manufacturer (O.E.M.) replacement parts. Failure to do so could be hazardous, damage your unit and void your war-

ROTARY LAWN MOWER - - MODEL NUMBER 5521BBC (96143001303) - PRODUCT NUMBER 961 43 00-13



# ROTARY LAWN MOWER - - MODEL NUMBER 5521BBC (96143001303) - PRODUCT NUMBER 961 43 00-13

KEY NO.	PART NO.	DESCRIPTION	KEY NO.	PART NO.	DESCRIPTION
1	532 40 73-44	Drive Control Assembly, Auto-Walk	35	532 41 09-22	Shaft Assembly, Rear
2	532 41 16-73	Cover, Top, Auto-Walk Drive Control	36	532 41 09-33	Shaft Assembly, Front
3	532 40 62-62	Pulley	37	532 16 14-63	Retainer, Front Shaft
4	532 19 00-39	Lever, Auto-Walk Drive Control	38	532 16 34-09	Screw #12 x 5/8
5	532 41 16-64	Cover, Bottom, Auto-Walk Drive Control	39	532 40 70-59	Bolt, Shoulder, Semi-Gimlett Point
6	532 18 16-98	Screw, Phillips Head #10 x 5/8	40	532 41 08-31	Wheel, Front 8 x 1-3/4
7	532 40 07-23	Bracket, Drive Control	50	532 41 31-04	Bracket, Belt
9	532 40 62-58	Cable, Drive Control	41	532 40 48-35	Pinion
10	532 18 93-78	Decal, Drive Control	42	532 19 74-80	O-Ring
11	532 40 65-58	Spring	44	532 40 65-80	V-Belt
13	532 40 48-39	Gear Case Assembly, Complete	47	532 06 77-25	Washer 1/2 x 1-1/2 x .134
14	532 19 34-43	Pulley, Drive	49	532 16 34-09	Screw #12 x 5/8
15	532 08 83-48	Washer	60	532 41 27-47	Case, Lower
16	532 40 71-47	Rod, Connecting	61	532 41 27-36	Case, Upper
17	532 40 96-16	Spring, Extension	62	532 41 27-57	Shaft, Output, Long
18	532 19 61-62	Spring Selector	63	532 18 35-08	Seal, Output Shaft
19	532 19 06-22	Knob, Selector Spring	64	532 18 35-11	Bushing
20	812 00 00-22	E-Ring	65	532 18 35-09	Washer
21	532 41 24-50	Bearing, Support	66	532 18 35-14	Seal, Worm Shaft
22	532 19 10-39	Bearing, Ball	67	532 18 35-06	Bearing, Ball
23	532 16 45-55	Retainer, Drive Assembly, Stamped	68	532 41 27-42	Gear, 28 Teeth
24	532 05 78-08	Screw, Tapping, Hex Head 1/4-20 x .75	69	532 41 27-39	Fixed Dog Clutch, LH
25	532 40 07-83	Cover Drive	70	532 41 27-46	Pin, Output Shaft
26	532 75 06-34	Screw, Threaded, Rolled #10-25 x .50	71	532 41 27-40	Movable Dog Clutch, LH
28	812 00 00-58	E-Ring 7/16	72	532 41 27-56	Shaft, Output, Short
29	532 18 94-03	Cover, Dust, Wheel	73	532 18 35-13	Screw, Case
31	532 40 48-45	Pawl	75	532 41 27-41	Pin, Worm Shaft
32	532 41 31-05	Wheel, Driven, Rear 8 x 1-3/4	76	532 41 27-44	Fixed Dog Clutch, RH
33	532 40 91-48	Nut, Hex, Flangelock 3/8-16	77	532 41 27-43	Movable Dog Clutch, RH
34	532 85 12-26	Washer, Flat	78	532 41 07-31	Spring, Leaf
			79	532 41 27-37	Shaft, Worm

**NOTE:** All component dimensions given in U.S. inches. 1 inch = 25.4 mm

**IMPORTANT:** Use only Original Equipment Manufacturer (O.E.M.) replacement parts. Failure to do so could be hazardous, damage your unit and void your war-